

SAFETY INFORMATION

Please read and understand this entire manual before attempting to assemble, install or operate the product.

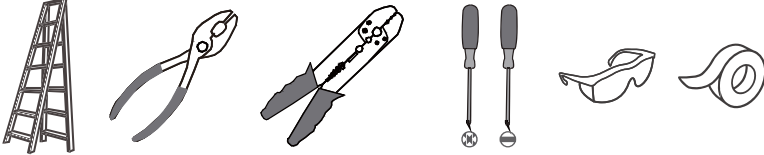
WARNING

- RISK OF ELECTRIC SHOCK - Before beginning installation, turn off electricity at the circuit breaker box or the main fuse box.
- RISK OF FIRE - Use bulbs specified by the markings and/or labels on the fixture.

CAUTION

- For your safety, read instructions completely before beginning installation.
- If in doubt about electrical installation, consult a licensed electrician.
- Turn off electricity to fixture before replacing the bulb(s).

TOOLS REQUIRED

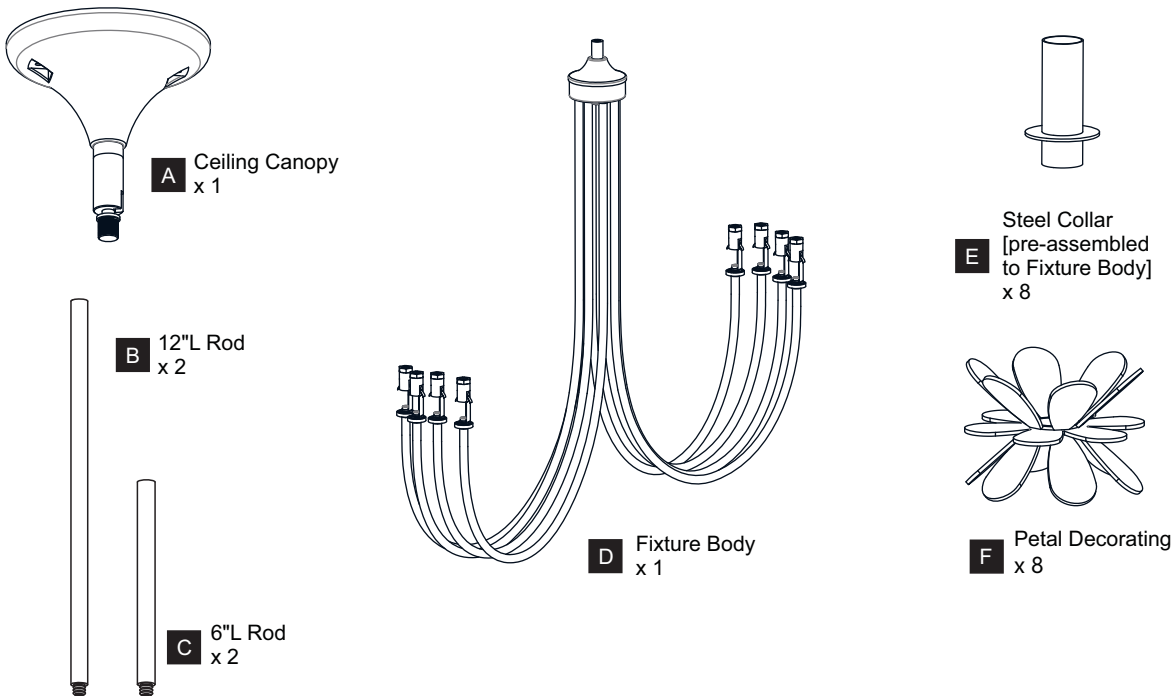


CARE AND MAINTENANCE

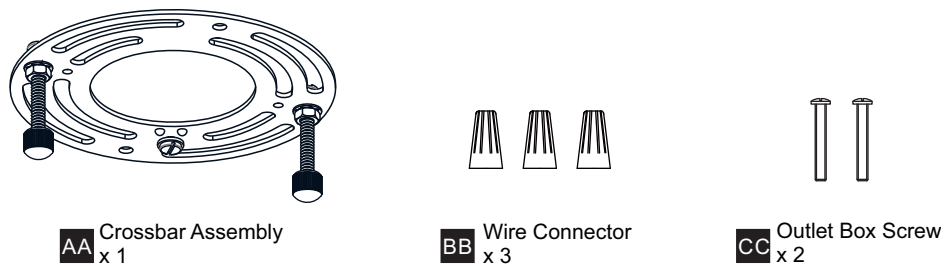
- Wipe clean using soft, dry cloth or static duster. Always avoid using harsh chemicals and abrasives to clean fixture as they may damage the finish.

If you need further assistance call Quozel Customer Care at 1-800-645-3184 (9:00am - 5:00pm EST), or visit us on-line at www.quezel.com.

PACKAGE CONTENTS

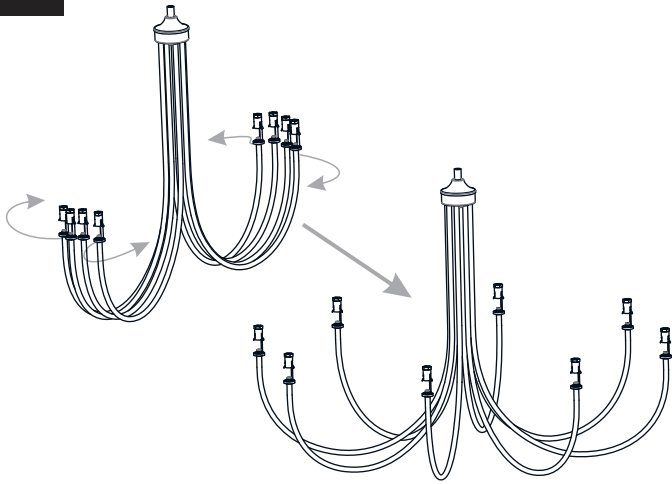


MOUNTING HARDWARE



INSTALLATION

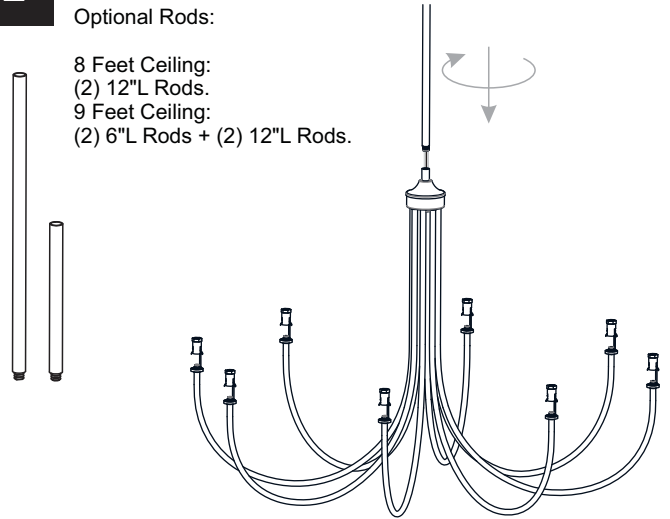
1 Unfold Side Arms



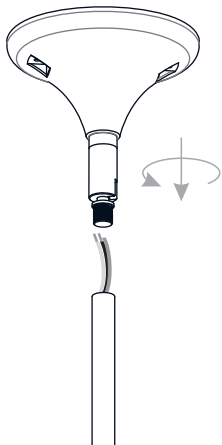
2 Install Rods

Optional Rods:

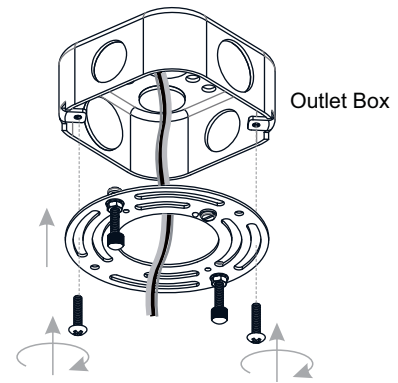
8 Feet Ceiling:
(2) 12" L Rods.
9 Feet Ceiling:
(2) 6" L Rods + (2) 12" L Rods.



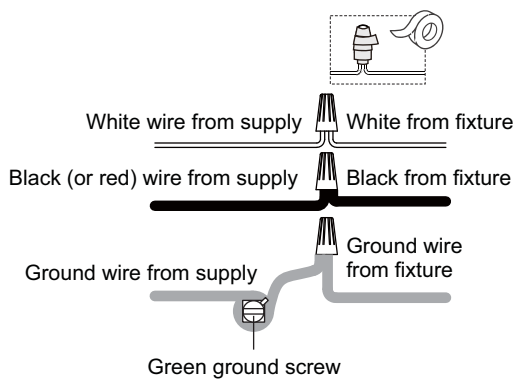
3 Install Ceiling Canopy to Upper Rod



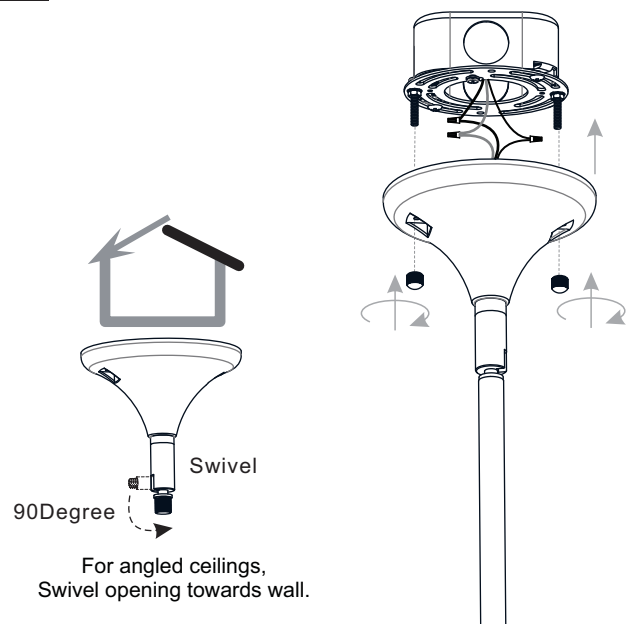
4 Install Crossbar Assembly



5 Wiring

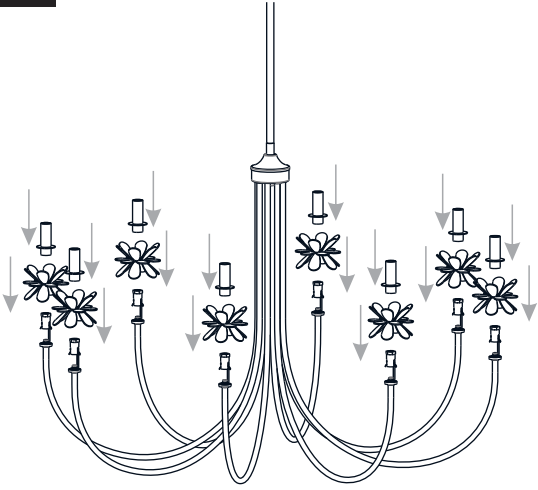


6 Install Ceiling Canopy to Crossbar Assembly

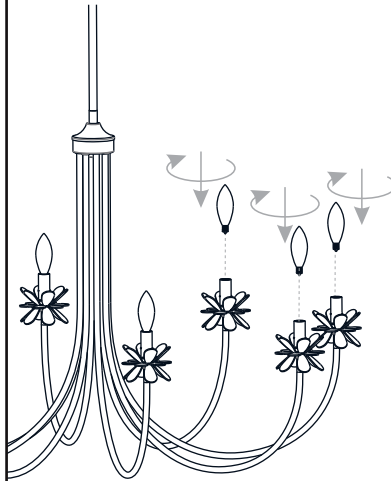


INSTALLATION

7 Install Petal Decorating



8 Install Bulbs



Install eight correct bulbs referring to fixture markings and/or labels for maximum wattage.

Recommended Bulb Type (not included):



BULB BASE TYPE
Candelabra (E12)



BULB SHAPE
TYPE B

Your installation is now complete! Restore electricity and save this sheet for future reference.