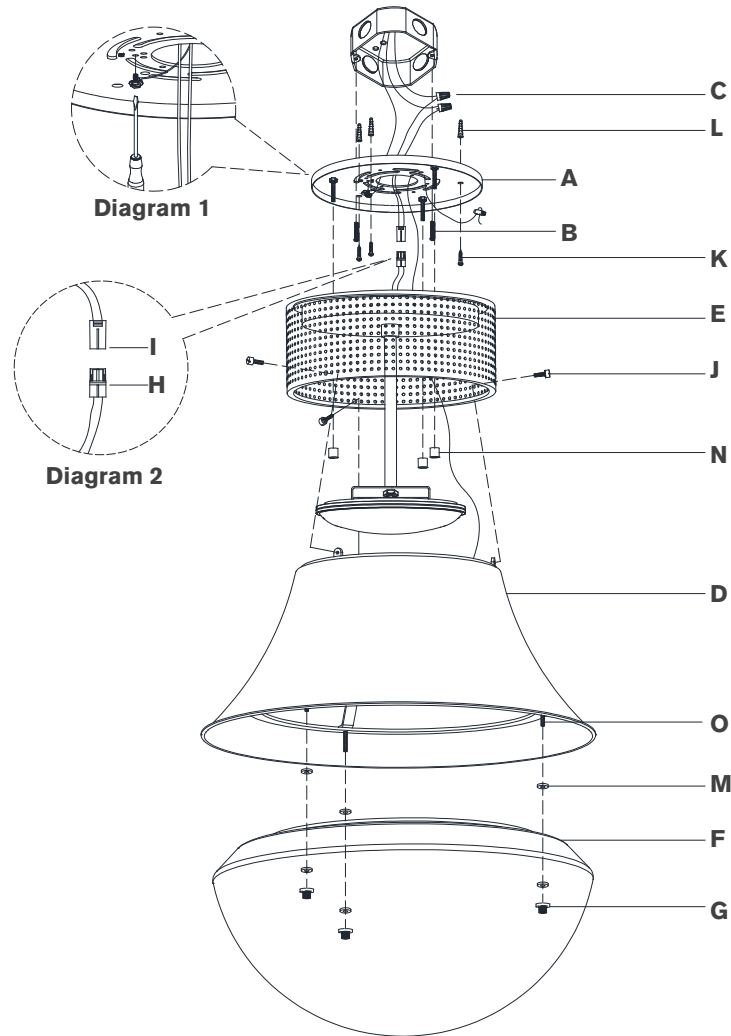


ASSEMBLY INSTRUCTIONS



Precision 17" Flush Mount

Item # KW4094

NOTICE:

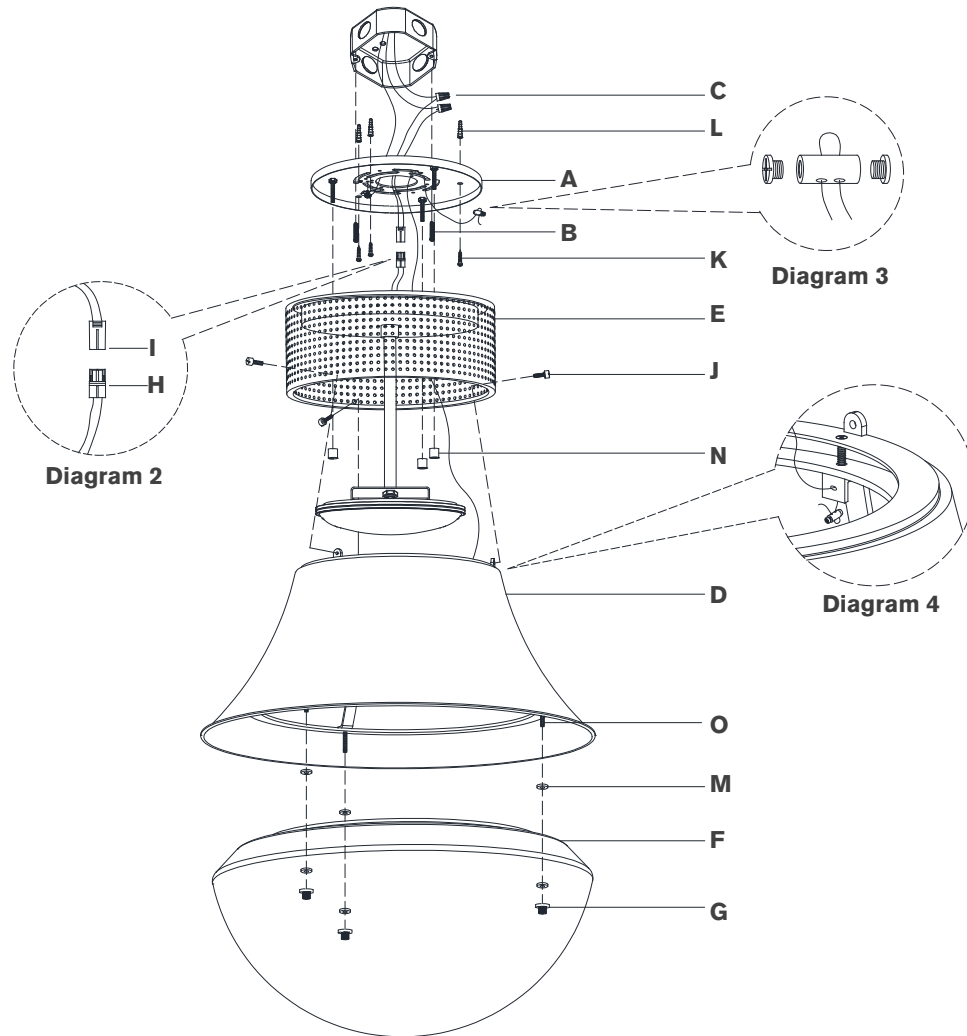
This light fixture should be installed in accordance with all applicable, local installation codes, and by a person familiar with the construction and operation of it, as well as the hazards involved. Inspect item and contents carefully. If any damage or defect is found, do not install. Retain all packaging material until installation is complete and approved.

TOOLS REQUIRED (NOT INCLUDED):

Phillips Screwdriver	Slotted Screwdriver	Drill
Pencil	Hammer	

1. Carefully remove all parts from the box. Place on a clean, soft surface.
2. Remove mounting plate (A) from fixture body (E) by removing threaded caps (N).
3. Using mounting plate (A) as a guide, line up with the junction box and mark anchor positions.
4. Using a drill bit slightly smaller than the anchor, drill holes in the marked positions. Install anchors (L) into the holes using hammer.
5. Install mounting plate (A) to the junction box and secure with mounting screws (B), then secure wood screws (K) to anchors (L).
6. Remove quick connector (I) from light source.
7. Connect supply ground wire (usually green or bare copper) around the green grounding screw (see diagram 1). Tighten.
NOTE: It is imperative that the fixture is grounded.
8. Connect quick connector neutral wire (white) to the supply neutral wire (usually white) using wire nut (C).
9. Connect quick connector hot wire (black) to the supply hot wire (usually black) using wire nut (C).
CAUTION: Do not reverse the hot and neutral connections.
10. Make sure all wire connections are tight, then carefully tuck into the junction box.

ASSEMBLY INSTRUCTIONS



Precision 17" Flush Mount

Item # KW4094

NOTICE:

This light fixture should be installed in accordance with all applicable, local installation codes, and by a person familiar with the construction and operation of it, as well as the hazards involved. Inspect item and contents carefully. If any damage or defect is found, do not install. Retain all packaging material until installation is complete and approved.

11. Run support cable through hole on back of mounting plate (A). Loosen cable lock and install to end of support cable. Insert other end of cable through the cable lock and tighten ends with a screwdriver to secure. (see diagram 3)
12. Connect quick connectors (I & H) together (see diagram 2).
13. Install fixture body (E) to mounting plate (A) and secure with threaded caps (N).
14. Attach rubber washers (M) to either side of the glass shade (F) and secure to threaded rod (O) with threaded caps (G).
NOTE: Do not over-tighten otherwise shade could become damaged.
15. Run support cable through hole on shade bracket. Loosen cable lock and install to end of support cable. Insert other end of cable through the cable lock and tighten ends with a screwdriver to secure. (see diagram 4)
16. Install metal shade (D) to fixture body (E) and secure with screws (J).

Care Instructions: Clean only with a soft dry cloth or feather duster. Do Not use abrasive or chemical agents.