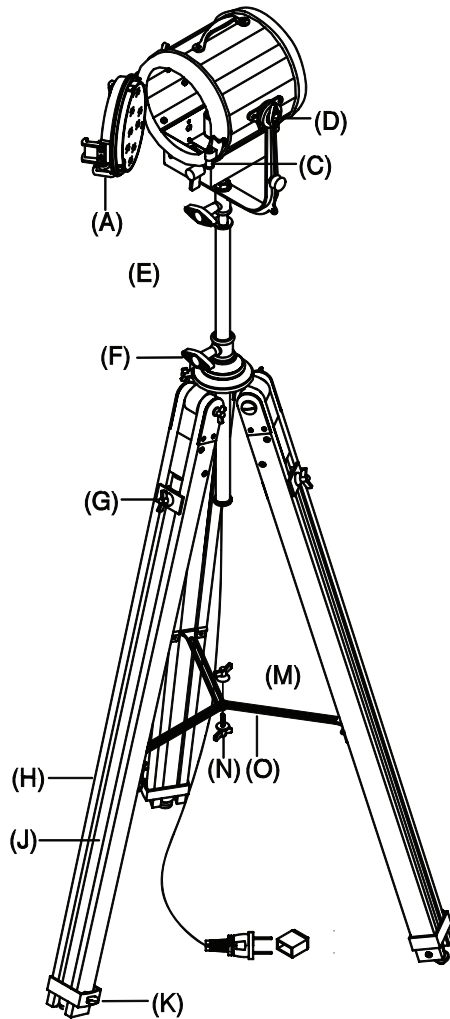


ASSEMBLY INSTRUCTIONS



Montauk Search Light Floor Lamp

Item # RL 11180

NOTICE:

This light fixture should be installed in accordance with all applicable, local installation codes, and by a person familiar with the construction and operation of it, as well as the hazards involved. Inspect item and contents carefully. If any damage or defect is found, do not install. Retain all packaging material until installation is complete and approved.

1. Carefully remove all parts from the box. Place on a clean, soft surface.
2. Unfold the tripod legs (H) and connect the three flat support bars (O) together by inserting part (N) into the slot where the bars join in the center as shown in the drawing at left. Secure with thumbscrew (M).
3. Pull retaining pin (C) to open the front lens diffuser (A).
4. Insert light bulb into socket.
5. Close the front lens diffuser (A) and replace the retaining pin (C).
6. Plug lamp into wall outlet.

To adjust lamp height:

1. Loosen the adjustment key (F) and raise or lower the lamp to the desired height.
2. Tighten adjustment key (F).
3. If addition height is needed, loosen leg adjustment keys (G) and (K).
4. Raise one leg at a time to the desired height and retighten adjustment keys (G) and (K) before moving to the next leg.
5. To avoid an unbalanced condition, please ensure that all legs are extended the same amount.
6. Ensure that all adjustment keys (G) and (K) are retightened.

To adjust the lamp direction

1. To point the light Higher or lower, loosen adjustment key (D). Retighten when desired lighting position is achieved.
2. To point the light right or left, loosen adjustment key (F). Retighten when desired lighting position is achieved.

Care Instructions: Clean only with a soft dry cloth or feather duster. Do not use abrasive or chemical agents.

RALPH LAUREN

